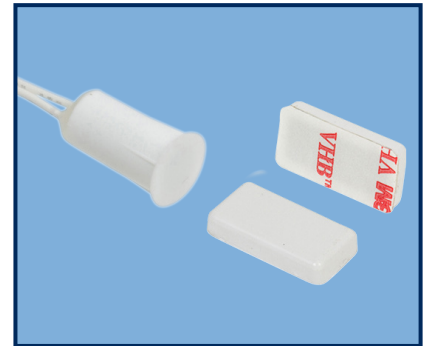


DESCRIPTION

Nascom's N1175 123787P Series, mini 3/8" recessed contact with over-molded NdFeB bar magnet, protects all nonferrous (e.g. wood, aluminum and vinyl) doors and windows, in both residential and commercial settings.

The N1175 123787P is the installer's choice of contact configuration where drill depth is critical and excellent air and side-to-side gap are required to prevent false alarms caused by shifting or warping doors and windows.



FEATURES

- PRESS FIT SWITCH - NO GLUE REQUIRED
- 12" 22AWG WIRE LEADS
- ABS OVERMOLDED MAGNET
- WIDE GAP - N35 NdFeB RARE EARTH MAGNET
- ENCAPSULATED HERMETICALLY SEALED CONTACTS
- POLYPROPYLENE SWITCH HOUSING
- LISTED TO UL634 STANDARD

ORDERING INFORMATION

PART NUMBER	COLOR	OPERATE GAP (in inches)	CONTACT RATING (Max DC/Peak AC Resistive)				STATIC CONTACT RESISTANCE (50mV, 100mA)
			SWITCHING		CARRY		
			V	I	V	I	

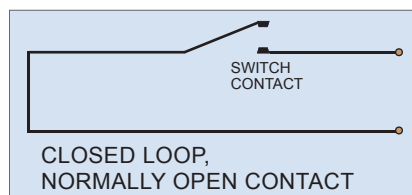
CLOSED LOOP, NORMALLY OPEN, 1FA, SWITCH/MAGNET SET:

N1175123787BP/ST	BROWN	0.50 to 0.750	200 VDC	0.5 Amps	10vA	1.5 Amps	150 mOhms
N1175123787GP/ST	GREY						
N1175123787WP/ST	WHIITE						

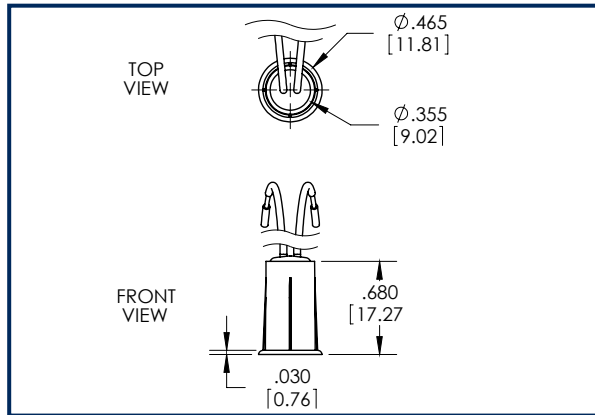
HIGH SECURITY, NORMALLY OPEN, 1FA, SWITCH/MAGNET SET:

N1175123787BP/STHS	BROWN	0.1875 to 0.50	300 VDC	0.20 Amps	3vA	0.5 Amps	150 mOhms initial
N1175123787GP/STHS	GREY						
N1175123787WP/STHS	WHIITE						

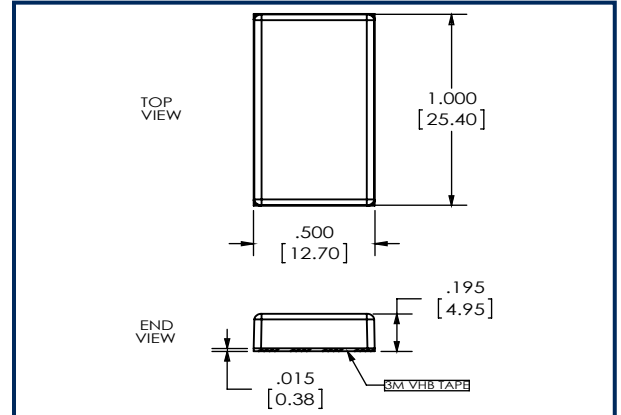
WIRING SCHEMATIC



DIMENSIONS - IN [mm]



SWITCH



MAGNET

INSTALLATION INSTRUCTIONS

- Mark location for the switch on the door frame and mark the location for the magnet on the top edge of the door.
- Using a square, transfer the marks on to the top edge of the door and the opposing door frame.
- Using a tape measure or graduations on the square, locate the center of the door edge and place an intersecting line with the first mark. Remove the release liner for the VHB tape on the back of the magnet and position the end of the magnet at the intersecting line.
- Repeat the above step to locate the hole position for the switch in the door frame. Drill a 3/8" hole in the door frame.
- Align the end of the magnet to the switch body.
- Connect the switch leads to the alarm system. **Caution! Hold wire leads, not the switch housing while cutting and stripping to prevent damage to switch.**
- Insert wire leads into hole followed by the switch and press the switch into the hole until the head is flush with the door frame
- Test switch for correct operation and make sure gap performance is acceptable.

PART NUMBERING SYSTEM

