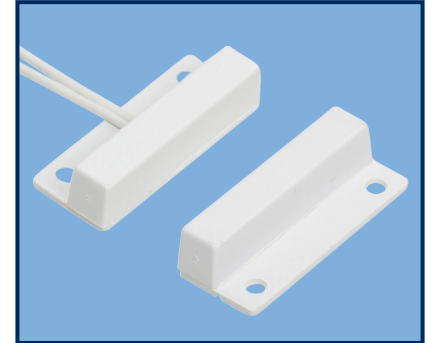


DESCRIPTION

Nascom's N122WG Series, 1/4" stick on contact, protects all nonferrous (e.g. wood, aluminum and vinyl) doors and windows, in both residential and commercial settings.

The N122WG is the installer's choice of contact configuration where excellent air and side-to-side gap are required to prevent false alarms caused by shifting or warping doors and windows.



FEATURES

- BREAKOFF FLANGE
- 12" 22AWG WIRE LEADS
- WIDE GAP - N35 NdFeB RARE EARTH MAGNET
- LISTED TO UL634 STANDARD
- ENCAPSULATED HERMETICALLY SEALED CONTACTS
- 3M VHB (Very High Bond) DOUBLE SIDED TAPE
- ABS HOUSINGS

ORDERING INFORMATION

PART NUMBER	COLOR	OPERATE GAP (in inches)	CONTACT RATING (Max DC/Peak AC Resistive)				STATIC CONTACT RESISTANCE (50mV, 100mA)
			SWITCHING		CARRY		
			V	I	V	I	

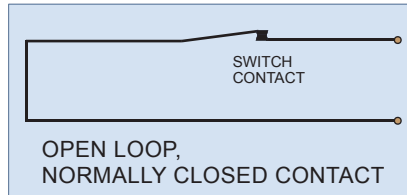
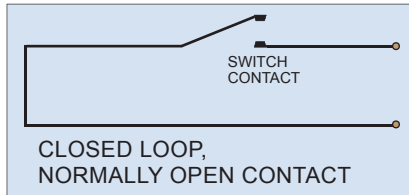
CLOSED LOOP, NORMALLY OPEN, 1FA, SWITCH/MAGNET SET:

N122WGSW/ST	SNOW WHITE	0.75 to 1.125	200 VDC	0.5 Amps	10vA	1.5 Amps	150 mOhms
N122WGB/ST	BROWN						
N122WGG/ST	GREY						
N122WGT/ST	TAN						
N122WGW/ST	WHITE						

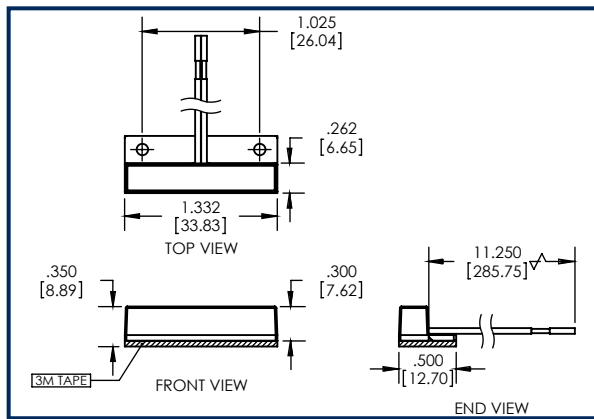
OPEN LOOP, NORMALLY CLOSED, 1FB, SWITCH/MAGNET SET:

N122WGSW/STFB	SNOW WHITE	0.65 to 1.00	30 VDC	0.2 Amps	3vA	0.5 Amps	100 mOhms
N122WGB/STFB	BROWN						
N122WGG/STFB	GREY						
N122WGT/STFB	TAN						
N122WGW/STFB	WHITE						

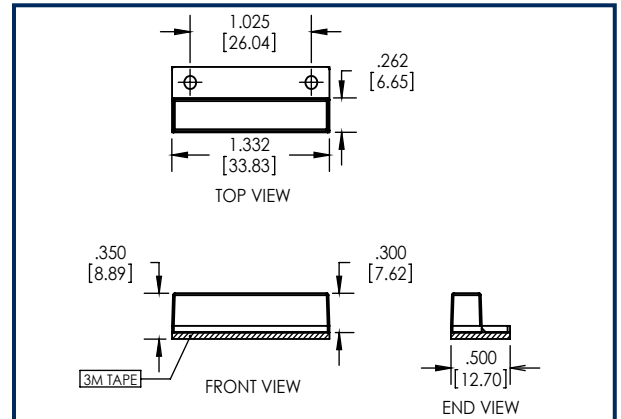
WIRING SCHEMATIC



DIMENSIONS - IN [mm]



SWITCH



MAGNET

INSTALLATION INSTRUCTIONS

- Pre-fit the switch and magnet in the desired location on the window.
- Clean the mounting surface area for both switch and magnet with alcohol and let dry.
- Remove the liner from the tape on the back of the switch and carefully position the switch on the window frame as close as possible to the movable part of the window.
- Remove the liner from the tape on the back of the magnet and carefully align the magnet parallel with the switch on the movable part of the window and as close to the window frame as possible.
- Apply firm pressure to the switch and magnet housing to ensure proper adhesion to the mounting surface.
- Connect the switch leads to the alarm system circuit. **Caution!** Hold wire leads, not the switch housing while cutting and stripping to prevent damage to switch.
- Test alarm system for correct operation.

PART NUMBERING SYSTEM

