

DESCRIPTION

Nascom's N505A/STMPA Magna Pull is the most durable on the market today. There are no plastic parts to break. Magnets won't fall out of the housing & the switch won't bend or break. Our magnet housing is bar stock aluminum and the switch housing is tubed aluminum filled with epoxy protecting the reed switch in side. This switch is used for protecting gates of all types and commercial trailers connected to distribution warehouse dock alarm systems.



FEATURES

- ANODIZED ALUMINIUM HOUSING FOR MAXIMUM DURABILITY
- ARMORED CABLE LEAD PROTECTION
- FAST AND EASY INSTALLATION
- HIGH SECURITY OPTION AVAILABLE

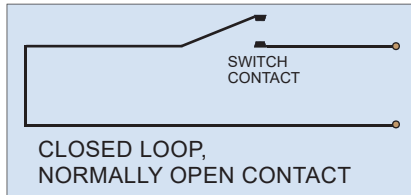
ORDERING INFORMATION

PART NUMBER	COLOR	CONTACT RATING (Max DC/Peak AC Resistive)				STATIC CONTACT RESISTANCE (50mV, 100mA)
		SWITCHING		CARRY		
		V	I	V	I	

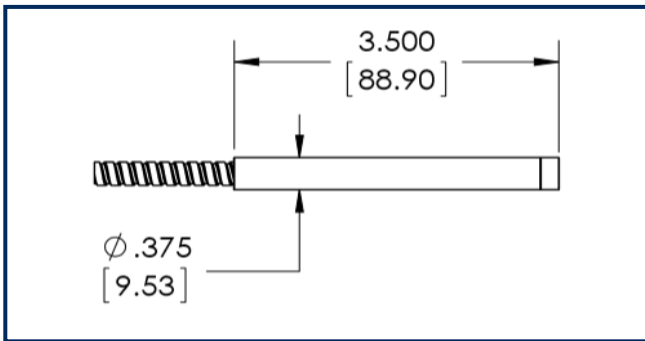
CLOSED LOOP, NORMALLY OPEN, 1FA, SWITCH/MAGNET SET:

N505A/STMPA	BLACK	200 VDC	0.5 Amps	10vA	1.5 Amps	150 mOhms
-------------	-------	---------	----------	------	----------	-----------

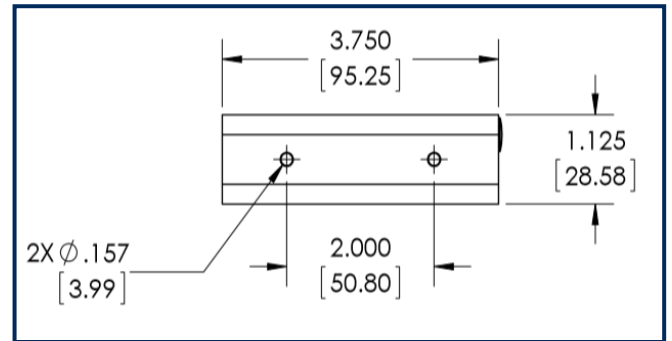
WIRING SCHEMATIC



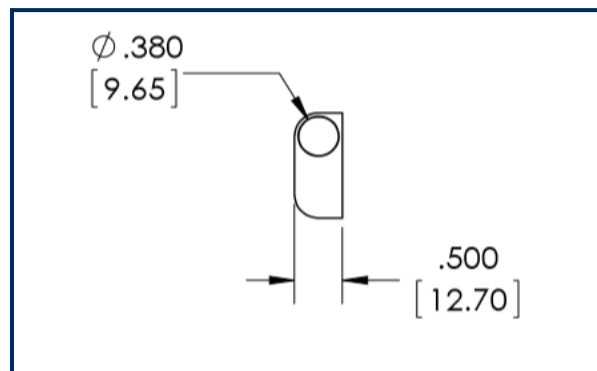
DIMENSIONS - IN [mm]



SWITCH



MAGNET



**MAGNET
(SIDE VIEW)**

INSTALLATION INSTRUCTIONS

- Unpack the switch assembly and uncoil the flex cable.
- Position the switch assembly in the desired location making sure there is enough room to remove the switch tube housing from the magnet housing.
- Mark the mounting hole locations and drill the mounting screw hole using a drill sized for a #6 self-tapping screw.
- Mount the switch assembly.
- Connect the switch leads to an ohm meter and operate the switch by removing and replacing the switch housing tube to test for correct operation.
- Connect the switch leads to the alarm system.

PART NUMBER SYSTEM

